


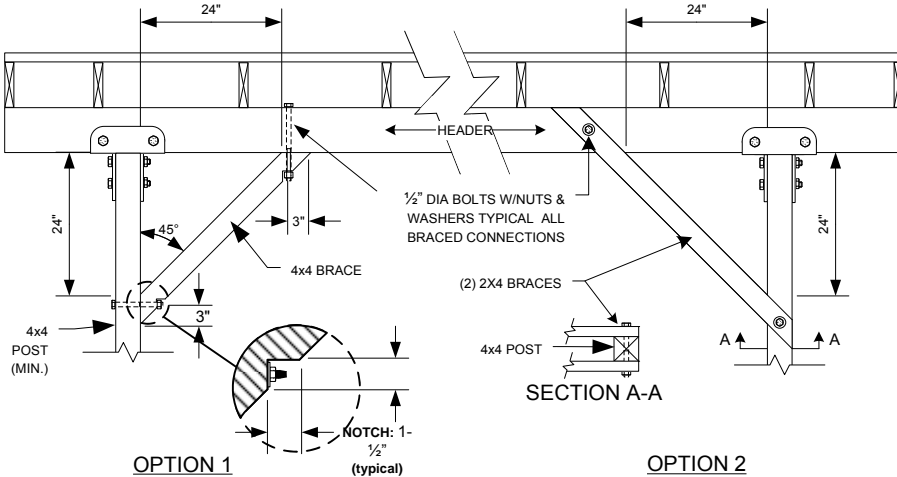
TABLE "A" RAFTER SPANS (DOUGLAS FIR #2 OR BETTER)			TABLE "B" HEADER SIZE & SPANS (DOUGLAS FIR #2 OR BETTER)			TABLE "C" FOOTING SIZE		TABLE "D" LEDGER BOLTING Δ	
SIZE	SPACING	SPAN	RAFTER SPAN	HEADER		BASED ON 1000 P.S.F. SOIL BEARING PRESSURE.		ALL LAG BOLTS SHALL HAVE 1/4" PRE-DRILLED HOLES - (SEE NOTE 2)	
				SPAN	SIZE				
2 x 4	12" O.C.	9' - 10"	UP TO 12'-0"	8'-0" MAX	4 x 6	18" SQ. X 12" DEEP		1/2" DIA. X 5" LONG AT 16" O.C. STAGGERED	
	16" O.C.	8' - 11"		10'-0" MAX	4 x 8	18" SQ. X 12" DEEP			
	24" O.C.	7' - 8"		12'-0" MAX	4 x 10	18" SQ. X 12" DEEP			
	32" O.C.	*6' - 3"		14'-0" MAX	4 x 12	18" SQ. X 12" DEEP			
2 x 6	12" O.C.	15' - 4"	12'-1" TO 20'-0"	8'-0" MAX	4 x 8	24" SQ. X 12" DEEP		(2) 3/8" DIA X 5" LONG AT 16" O.C.	
	16" O.C.	13' - 9"		10'-0" MAX	4 x 10	24" SQ. X 12" DEEP			
	24" O.C.	11' - 3"		12'-0" MAX	4 x 12	24" SQ. X 12" DEEP			
	32" O.C.	*9' - 7"		14'-0" MAX	4 x 14	24" SQ. X 12" DEEP			
2 x 8	12" O.C.	20' - 0"	NOTES: 1. TWO 2X MEMBERS MAY BE SUBSTITUTED FOR ONE 4X HORIZONTAL FRAMING MEMBER. 2. LAG BOLTS MUST FULLY ENGAGE A WOOD STUD OR RIM JOIST AND BE PROVIDED WITH APPROPRIATE WASHERS. LAG BOLTS SHALL BE LOCATED A MINIMUM OF 1-1/2" FROM THE TOP OR BOTTOM OF THE LEDGER. 3. NOT DESIGNED TO BE ENCLOSED - ADDITIONAL ENGINEERING ANALYSIS WILL BE REQUIRED IF ENCLOSED. 4. SEE PAGE 2 OF 2 FOR CONSTRUCTION DETAILS. 5. ARTIFICIAL LIGHTING IS REQUIRED IN ROOMS THAT HAVE WINDOW OPENINGS INTO THE COVERED PATIO AREA IF THE TOTAL WINDOW AREA IN THAT ROOM IS LESS THAN 10% OR THE FLOOR AREA OF THE ROOM OR 20 SQUARE FEET, WHICHEVER IS GREATER.						
	16" O.C.	18' - 2"							
	24" O.C.	14' - 10"							
	32" O.C.	*12' - 8"							
2 x 10	12" O.C.	20' - 0"							
	16" O.C.	20' - 0"							
	24" O.C.	18' - 11"							
	32" O.C.	*16' - 2"							
4 x 4	24" O.C.	10' - 0"							
	32" O.C.	*9' - 3"							
	48" O.C.	*7' - 8"							
4 x 6	24" O.C.	15' - 11"							
	32" O.C.	*13' - 9"							
	48" O.C.	*11' - 3"							
4 x 8	24" O.C.	20' - 0"							
	32" O.C.	*18' - 2"							
	48" O.C.	*14' - 10"							

* THIS SPACING AND SPAN IS FOR LATTICE PATIO COVERINGS ONLY.

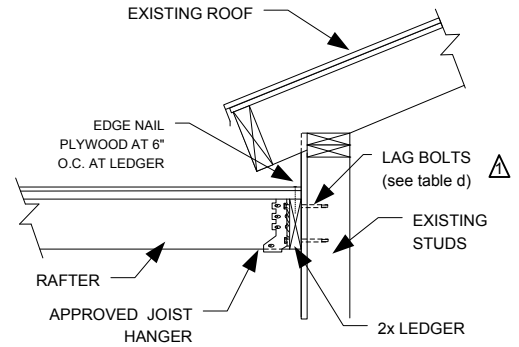
	CITY OF AZUSA BUILDING DIVISION	
	PATIO COVER STANDARD	
(626) 812-5234	213 E. Foothill Blvd. Azusa, CA 91702	
(626) 812-5293	1/1/2008 Δ	PatioStd2008.vsd
		PAGE 1 OF 2

KNEE BRACE DETAIL AT END POSTS

(REQUIRED WHEN RAFTER SPAN EXCEEDS 12 FT.)



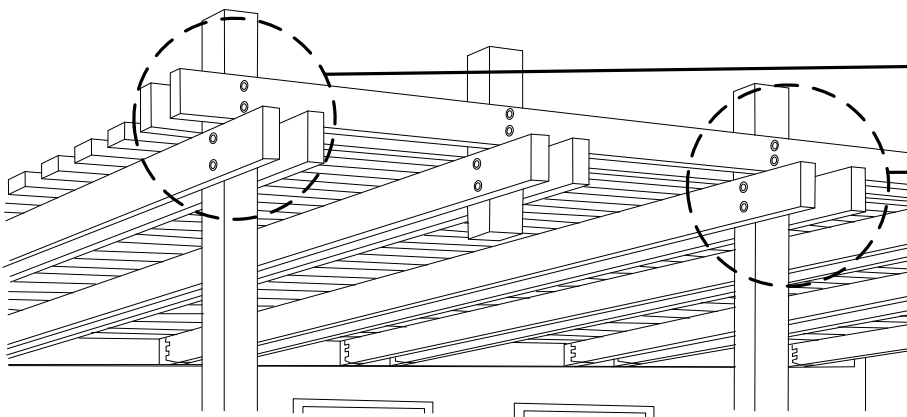
LEDGER ATTACHMENT DETAIL



NOTES:

1. USE A CONTINUOUS 2X LEDGER – SAME DEPTH AS RAFTER OR LARGER
2. SEE TABLE "D" FOR BOLTING REQUIREMENTS

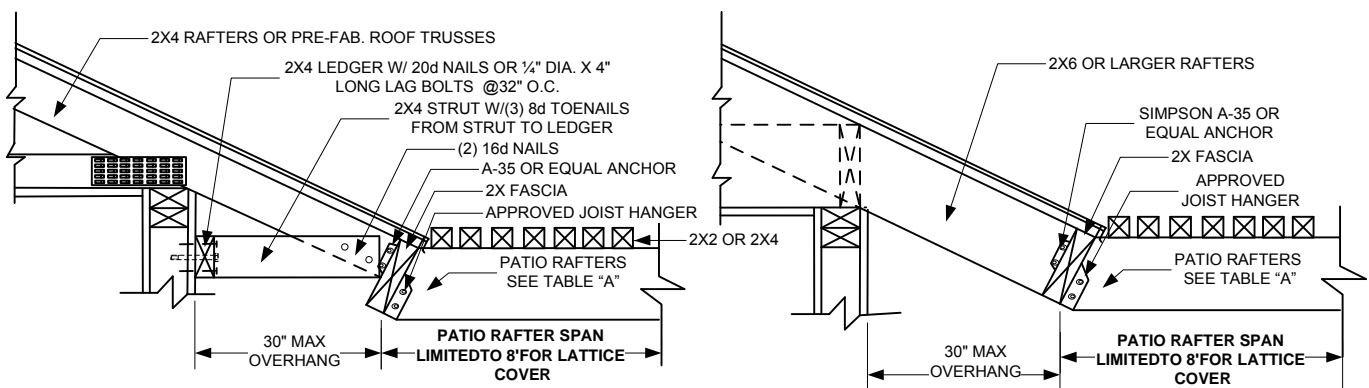
INVERTED HEADER DESIGN OPTION (lattice only)



2X FASCIA (OVERHANG) ATTACHMENT – LATTICE ONLY

OPTION 1

OPTION 2



NOTE: VERIFY STRUCTURAL SOUNDNESS OF ROOF RAFTERS FOR DECAY OR TERMITE DAMAGE, AND REPLACE WITH LIKE MATERIALS AS NEEDED, AFTER CONSULTATION WITH THE BUILDING DEPARTMENT.



CITY OF AZUSA BUILDING DIVISION PATIO COVER STANDARD

213 E. Foothill Blvd.
Azusa, CA 91702

(626) 812-5234

(626) 812-5293

1/1/2008



PatioStd2008.vsd

PAGE 2 OF 2